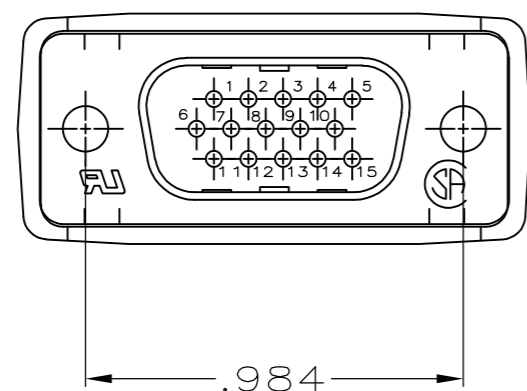
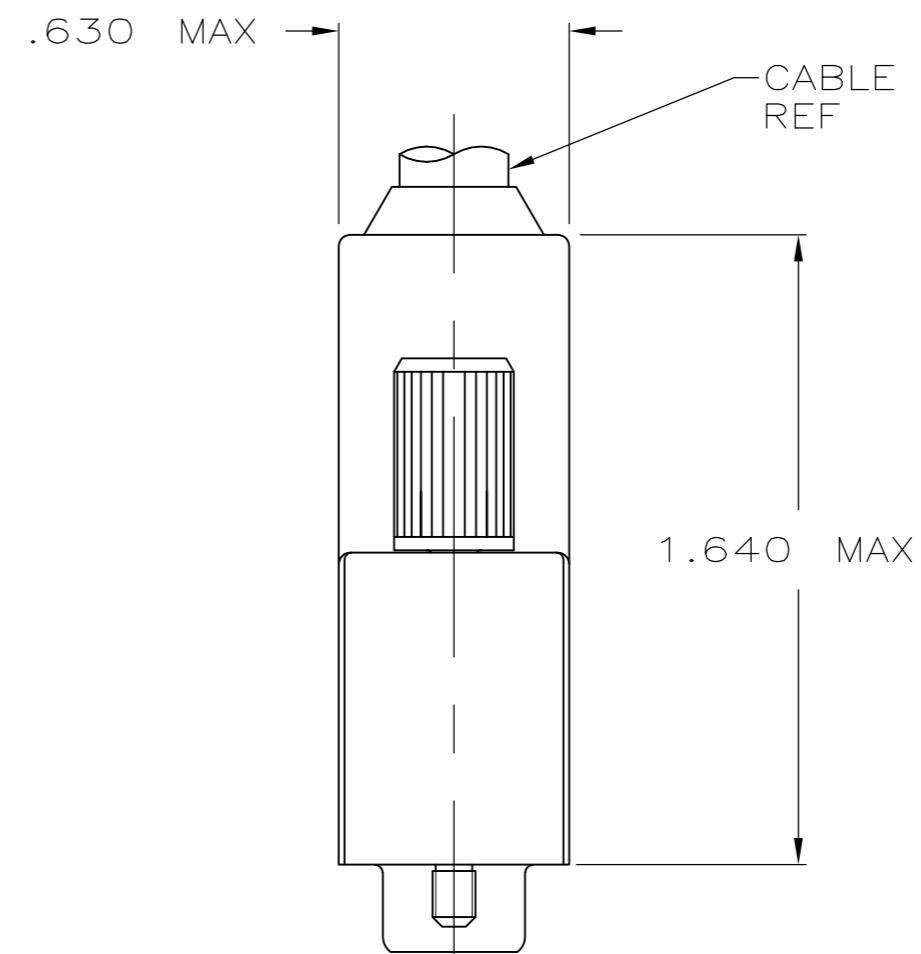
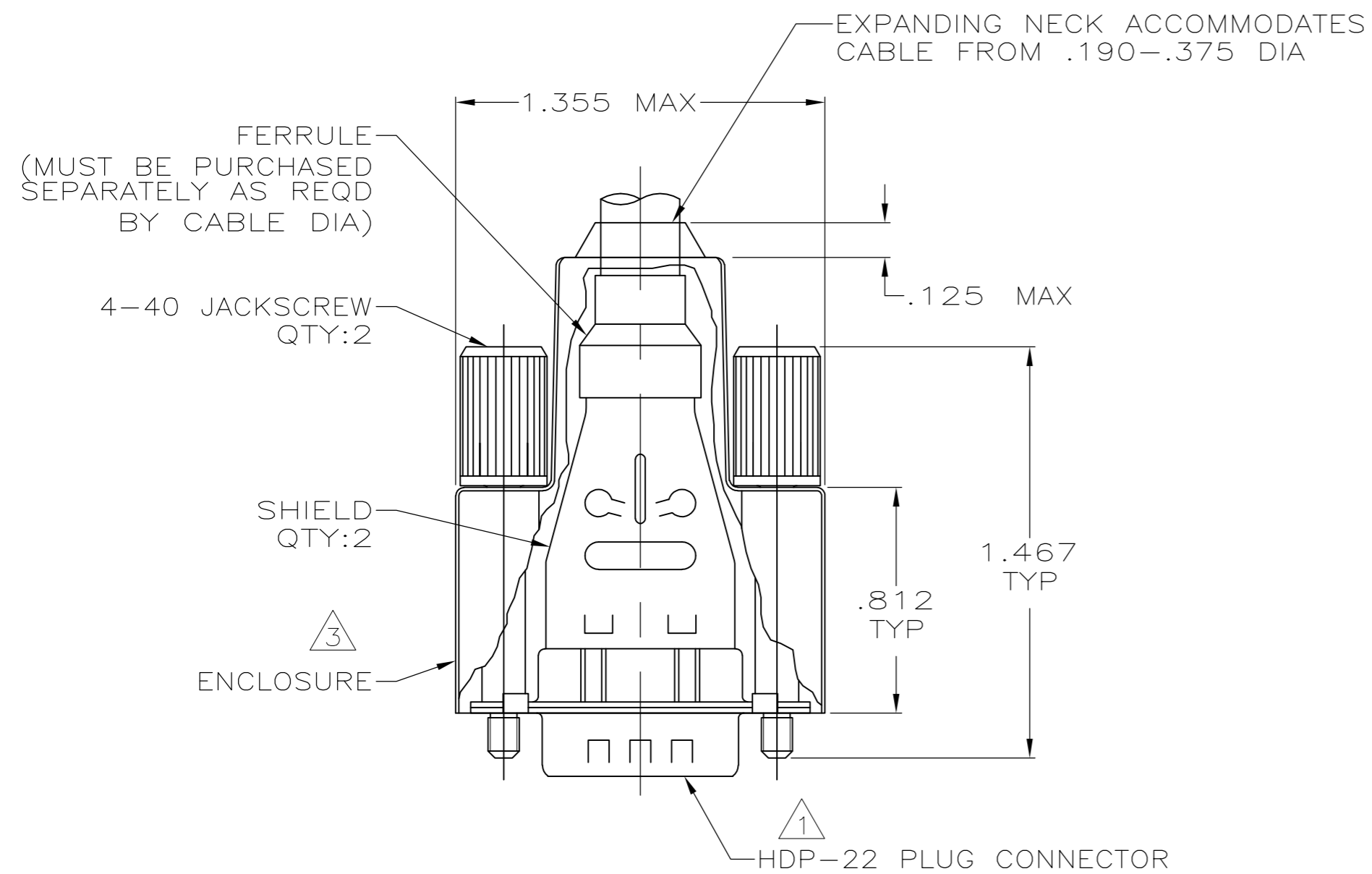


THIS DRAWING IS UNPUBLISHED. RELEASED FOR PUBLICATION
 © COPYRIGHT BY TYCO ELECTRONICS CORPORATION. ALL RIGHTS RESERVED.

LOC	DIST	REVISIONS			
P	LTR	DESCRIPTION	DATE	DWN	APVD
GP	00	A	REVISED PER ECO-08-003213	05FEB08	BM CR

- 1 PLUG ACCEPTS 22 DF PIN CONTACTS. CONTACTS MUST BE PURCHASED SEPARATELY.
- 2. ALL PARTS SHIPPED UNASSEMBLED.
- 3 FLAME RETARDANT 94V-0 RATED, STYRENE POLYOLEFIN OR PVC, BLACK.
- 4 MATERIAL:
INSERTS: FLAME RETARDANT 94V-0 RATED GLASS FILLED, NYLON OR POLYESTER, BLACK.
- 5 MATERIAL;
SHELL & SHIELD: CARBON STEEL.
- 6 FINISH:
SHELL & SHIELD: .000200 MIN. TIN PLATE OVER .000100 MIN. COPPER UNDERPLATE.
- 7 FINISH:
JACKSCREW: ZINC PHOSPHATE COATING, BLACK.
- 8. COMPONENTS INDIVIDUALLY BULK PACKED.
- 9 MATERIAL:
JACKSCREW: ZINC ALLOY.



1658678-1
PART NUMBER

THIS DRAWING IS A CONTROLLED DOCUMENT.		DWN L. BAUM 02JAN04	Tyco Electronics Corporation Harrisburg, PA 17105-3608	
DIMENSIONS: INCHES		CHK S. BOLASH 02JAN04	NAME	
TOLERANCES UNLESS OTHERWISE SPECIFIED:		APVD M. WALMSLEY 02JAN04	PRODUCT SPEC	
0 PLC ± -		108-1268		
1 PLC ± -		APPLICATION SPEC		
2 PLC ± -		114-10001		
3 PLC ± .005		SIZE CAGE CODE DRAWING NO		
4 PLC ± -		A2 00779 C=1658678		
ANGLES ± 2°		RESTRICTED TO		
FINISH		WEIGHT -		
MATERIAL		CUSTOMER DRAWING		
SCALE 2:1		SHEET 1 of 1		
REV A				